



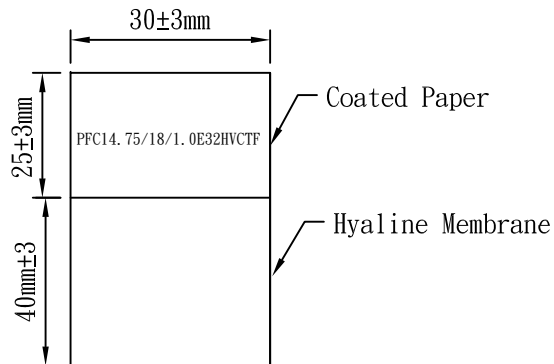
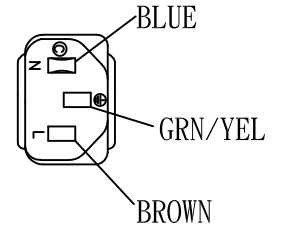
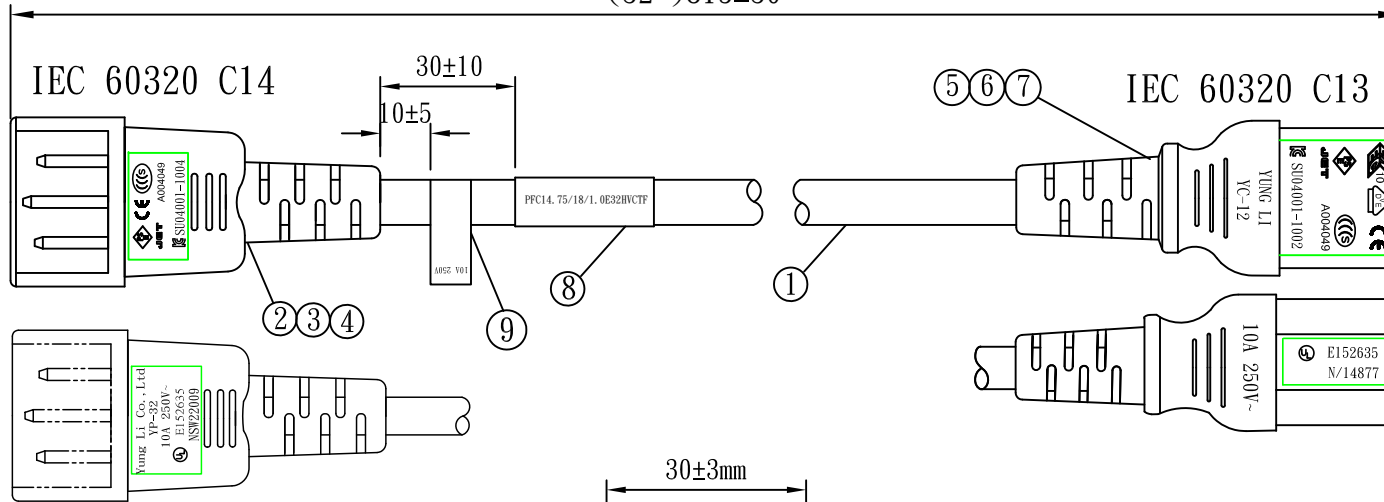
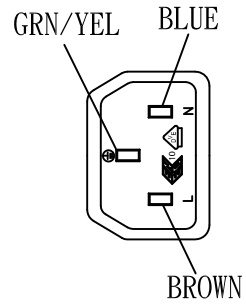
NSW22009



N/14877



(32")815±30



Packing:
1. Bulk Pack.
2. Bundles of 10 Pieces.

Wire Marking:

Yung Li Co., Ltd. H05VV-F 3G 0.75mm² <VDE> CE ES0140750 SU01027-4002

CCC A004049 60227 IEC 53(RVV) 300/500V c(UL)us E241374 SJT 3/C 18AWG(0.824mm²) 105°C 300V VW-1 <PS>E JET HVCTF 3X1.0mm² タイネツ -F-

| NO. | SPECIFICATION | QTY | REMARK |
|-----|---|--------|--------|
| 1 | 0.75mm ² H05VV-F+18/3C SJT+1.0mm ² HVCTF RED(GY-49) | 1PC | |
| 2 | YP-32 PVC PLASTIC: 35P RED(GY-49) | 15g/PC | |
| 3 | TER:98672BS-1 | 3PCS | |
| 4 | INNER BODY: 2X4 | 1PC | |
| 5 | TER:97740 | 3PCS | |
| 6 | YC-12 INNER BODY | 1PC | |
| 7 | YC-12 PVC PLASTIC:35P RED(GY-49) | 18g/PC | |
| 8 | LABEL: (40+25)*30mm | 1PC | |
| 9 | LABEL: 55*15mm | 1PC | |

| | | | | | | | | |
|---|-------------|-------------|------|----------|--------------------|-------------------------|-------|------|
| Tolerance >0±0.30 >1.0±0.50 >10.0±1.0 >20.0±2.0 Angle: ±1° | Approved | | Date | | StayOnline® | | | |
| | Checked | | Date | | | | | |
| | Drawn | JAMIE | Date | 15.06.17 | Customer | | | |
| | Cat. No. | YP-32/YC-12 | | | P/N. | PFC14.75/18/1.0E32HVCTF | | |
| | Drawing No. | 6624 | | Rev. | B | Material | P.V.C | Unit |
| | | | | | Scale | | | |