

Twist-Lock® Devices  
 50A, 480V AC, 2 Pole, 3 Wire Grounding  
 Insulgrip® Plug

# HUBBELL

## Features

- Super tough nylon housing offers better impact qualities
- Stainless steel shroud protects contacts and prevents mismatching
- Heavy duty two-piece external cord clamp provides maximum strain relief
- Box terminal with hex socket threaded slug, permits high clamping pressure on conductors without damaging strands
- Thermoplastic polyester interior provides heat resistance and impact strength



## Ordering Information

Description	Cord Diameter	UPC	Catalog Number
Nylon housing, thermoplastic polyester interior	.830"-1.250" (21.08-31.75)	783585829166	CS8465C

## Listings

Listed to UL 498  
 Certified to CSA C22.2 No.42

## Specifications

Housing	Nylon
Blade Holder	Polyester
Blades	Brass
Shell	Stainless Steel
Terminal Screws	Stainless steel
Cord Grip	Polyester

## Performance

### Electrical

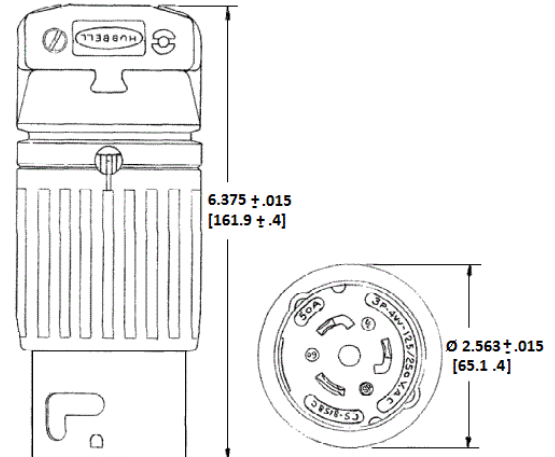
Current Interrupting Certified for current interrupting at full rated current  
 Dielectric Voltage Withstands 2,000V minimum

### Mechanical

Terminal Accommodation #10 AWG - #6 AWG stranded copper wire only

### Environmental

Flammability HB or better  
 Operating Temperatures Maximum continuous 75°C; minimum -40°C (w/o impact)



## Accessories

Connector	CS8464C
Single Receptacle	CS8469
Weatherproof Boot	HBL7716C

## Resources

Customer Use Drawing  
 eCatalog

Dimensions in Inches (mm)

Hubbell Wiring Device-Kellems • Hubbell Incorporated (Delaware) • 40 Waterview Drive • Shelton, CT 06484

Phone (800) 288-6000 • Fax (800) 255-1031 • Specifications subject to change without notice.

