

Twist-Lock® Devices
 20A, 277V AC; 2 Pole, 3 Wire Grounding
 Valise® Connector

HUBBELL

Features

- Totally insulated impact and crush resistant nylon body
- Powerful cord grip prevents conductor slippage and strain on wiring terminals



20A 277V AC
 NEMA L7-20R
 UL/CSA
 2 HP



Ordering Information

Description	Cord Diameter	UPC	Catalog Number
Black nylon.	.325"-.720" (8.26-18.3)	783585043104	HBL2333VBK

Listings

Listed to UL 498
 Fed.Spec. W-C-596
 Certified to CSA C22.2 No.42

Specifications

Housing	Black nylon
Contacts	Brass
Terminal Screws	#8 - 32 Steel (Philips / Slotted / Robertson)
Terminal Clamps	Steel - Nickel plated
Clamp Screws	#8 - 32 Steel - Zinc plated (Philips / Slotted / Robertson)

Performance

Electrical

Current Interrupting	Certified for full rated current
Dielectric Voltage	Withstands 2,000V minimum

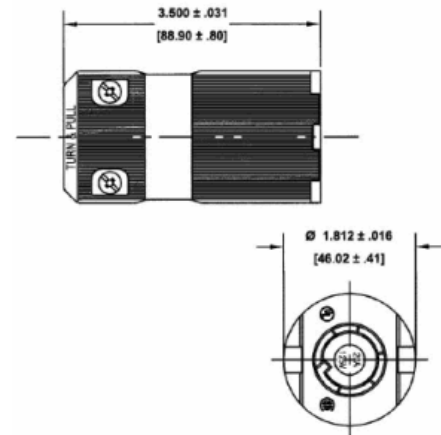
Mechanical

Terminal Accommodation #14 AWG- #8 AWG stranded copper wire only.

Terminal Identification Terminals identified in accordance with UL 498

Environmental

Flammability	HB or better per UL 94 or CSA 22.2 No. 0.6
Moisture Resistance	IP20 Suitability
Operating Temperature	Maximum continuous 75°C, minimum -40°C (w/o impact)



Accessories

Plug	HBL2333VBK
Plug	HBL2331VBK
Flanged Inlet	HBL2336
Weatherproof Boot	HBL60CM32V

Resources

Customer Use Drawing
 eCatalog

Dimensions in Inches (mm)

Hubbell Wiring Device-Kellems • Hubbell Incorporated (Delaware) • 40 Waterview Drive • Shelton, CT 06484

Phone (800) 288-6000 • Fax (800) 255-1031 • Specifications subject to change without notice.

