

Twist-Lock® Devices
 15A, 125V, 2 Pole, 3 Wire Grounding
 Valise® Plug

HUBBELL

Features

- Two captive multiple drive assembly screws
- Totally insulated impact and crush resistant nylon body
- Powerful cord grips prevent conductor slippage and strain on wiring terminals

Ordering Information

| Description | Cord Diameter | UPC | Catalog Number |
|--------------|---------------------------|--------------|----------------|
| Black nylon. | .220"-.660" (5.6-16.8) | 783585043241 | HBL4723VBK |

Listings

Listed to UL 498
 Fed.Spec. W-C-596
 Certified to CSA C22.2 No.42

Specifications

| | |
|-----------------|--|
| Housing | Nylon |
| Cable Inserts | Polyphenylene Oxide |
| Blades | Brass |
| Terminal Screws | #6-32 Brass (Phillips / Slotted / Robertson) |
| Terminal Clamp | Cold rolled steel – nickel plated |
| Assembly Screws | Steel - Zinc plated |

Performance

Electrical

| | |
|----------------------|--|
| Current Interrupting | Certified for current interrupting at full rated current |
| Dielectric Voltage | Withstands 2,000V minimum |

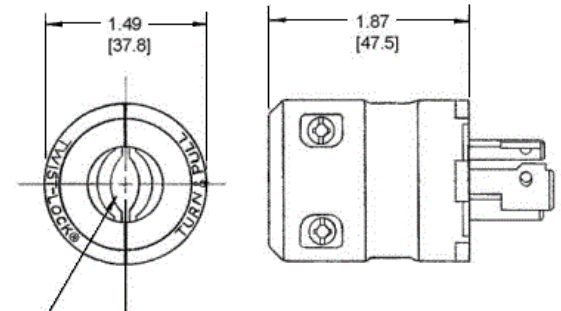
Mechanical

| | |
|------------------------|--|
| Terminal Accommodation | #18 AWG - #12 AWG stranded copper wire only. |
|------------------------|--|

| | |
|-------------------------|--|
| Terminal Identification | Terminals identified in accordance with UL 498 |
|-------------------------|--|

Environmental

| | |
|------------------------|--|
| Flammability | HB or better per UL 94 or CSA 22.2 No. 0.6 |
| Moisture Resistance | IP20 Suitability |
| Operating Temperatures | Maximum Continuous 75°C Minimum -40°C (w/o impact) |



CORD RANGE: .220-.660 [5.5-16.5]
 TYPE: 18/3-16/3 SV, SJ, S
 14/3 SJ, S
 12/3 S

Accessories

| | |
|--------------------|------------|
| Connector | HBL4729YBK |
| Duplex Receptacle | HBL4700 |
| Single Receptacle | HBL4710 |
| Flanged Receptacle | HBL4715C |

Resources

Customer Use Drawing
 eCatalog

Dimensions in Inches (mm)

Hubbell Wiring Device-Kellems • Hubbell Incorporated (Delaware) • 40 Waterview Drive • Shelton, CT 06484

Phone (800) 288-6000 • Fax (800) 255-1031 • Specifications subject to change without notice.

