

Twist-Lock® Devices
 15A, 277V AC, 2 Pole, 3 Wire Grounding
 Valise® Connector

HUBBELL

Features

- Two captive multiple drive assembly screws
- Totally insulated impact and crush resistant nylon body
- Powerful cord grips prevent conductor slippage and strain on wiring terminals



15A 277V AC
 NEMA L7-15R
 UL/CSA
 2 HP



Ordering Information

Description	Cord Diameter	UPC	Catalog Number
Black nylon.	.220"-.660" (5.6-16.8)	783585043326	HBL4779VBK

Listings

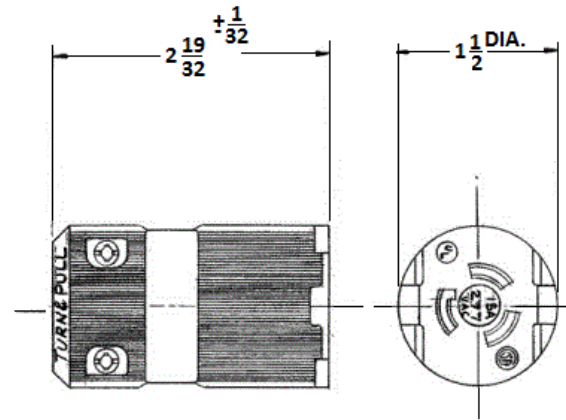
Listed to UL 498
 Fed.Spec. W-C-596
 Certified to CSA C22.2 No.42

Specifications

Housing	Nylon
Cable Inserts	Polyphenylene Oxide
Contacts	Brass
Terminal Screws	#6-32 Brass (Phillips / Slotted / Robertson)
Terminal Clamp	Cold rolled steel – nickel plated
Assembly Screws	Steel - Zinc plated

Performance

Electrical	
Current Interrupting	Certified for full rated current
Dielectric Voltage	Withstands 2,000V minimum
Mechanical	
Terminal Accommodation	#18 AWG- #10 AWG stranded copper wire only.
Terminal Identification	Terminals identified in accordance with UL 498
Environmental	
Flammability	HB or better per UL 94 or CSA 22.2 No. 0.6
Moisture Resistance	IP20 Suitability
Operating Temperatures	Maximum Continuous 75°C Minimum -40°C (w/o impact)



Accessories

Plug	HBL4773VBK
Flanged Inlet	HBL4786C

Resources

Customer Use Drawing
 eCatalog

Dimensions in Inches (mm)

Hubbell Wiring Device-Kellems • Hubbell Incorporated (Delaware) • 40 Waterview Drive • Shelton, CT 06484

Phone (800) 288-6000 • Fax (800) 255-1031 • Specifications subject to change without notice.

