

Straight Blade Devices
Accessories
PLUGOUT® Device

HUBBELL

Ordering Information

Description	Device Color	UPC	Catalog Number
PLUGOUT® Lockout device for 20 and 30A Hubbell plugs and others	Yellow	783585001852	HLD



Specifications

Housing	UV stabilized polypropylene
Plug Length	4.75" (120.6) max
Cord	1.11" (28.2) max
Number of Padlocks	4 locks, 3/8" (9.5)

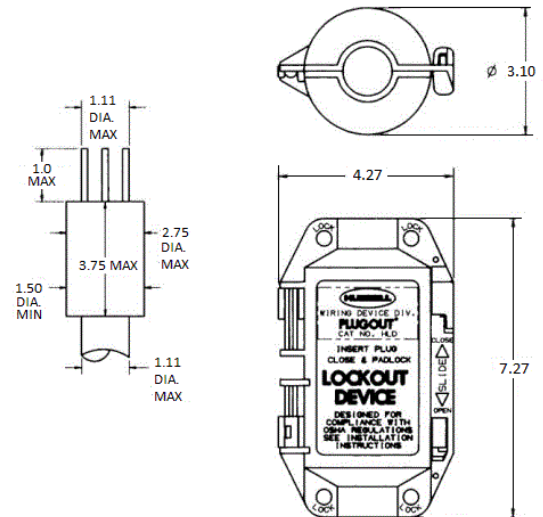
Performance

Environmental

Operating Temperature	Maximum continuous 140°F (60°C); minimum continuous -20°F (-29°C)
Optional storage position	Stores on cable when not in use

Mechanical

Product Identification	Permanently molded into housing
------------------------	---------------------------------



Accessories

Device Accommodation	Maximum Length; 4.75", Diameter Range 1 to 2.75"
----------------------	--

Resources

Customer Use Drawing	
eCatalog	

Dimensions in Inches (mm)

Hubbell Wiring Device-Kellems • Hubbell Incorporated (Delaware) • 40 Waterview Drive • Shelton, CT 06484

Phone (800) 288-6000 • Fax (800) 255-1031 • Specifications subject to change without notice.

