

## Straight Blade Devices

20A, 250V, 2 Pole, 3 Wire Grounding

# HBL<sup>®</sup> Extra Heavy Duty MAX Hospital Grade Duplex Receptacle

# HUBBELL

### Features

- Deep body design with circuit ID face
- Patented ground contact provides redundant grounding

### Ordering Information

Description	Device Color	UPC Number	Catalog Number
Back and side wired	Brown	783585435800	HBL8400

### Listings

UL Listed to UL498 File No. E2186  
Certified to CSA, C22.2, No. 42 File 285  
Fed. Spec. W-C-596  
NEMA<sup>®</sup> WD-6 Compliant

### Specifications

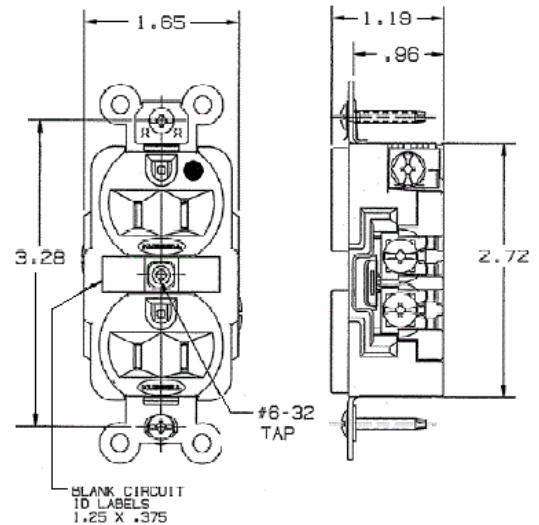
Face	PBT
Base	PBT
Power Contacts	.036" (.9) Nickel plated brass
Ground Contacts	Plated brass
Clamping Plate	Nickel plated brass
Terminal Screws	Plated brass
Mounting Strap	.050 in. (1.3) Nickel plated brass
Mounting Screws	Stainless steel

### Performance

<b>Electrical</b>	
Current Interrupting	Certified for current interrupting at full rated current
Dielectric Voltage	Withstands 2,000V minimum
<b>Mechanical</b>	
Product Identification	Ratings are a permanent part of the device
Terminal Accommodation	#14-#10 AWG copper stranded or solid conductor only
Terminal Identification	Terminals identified in accordance with UL 498 and CSA
<b>Environmental</b>	
Flammability	UL 94 V-0
Operating Temperatures	Maximum continuous 75°C; minimum -40°C (w/o impact)



20A 250V  
NEMA 6-20R  
UL CSA  
2 HP



### Complementary Products

Wallplate or Weatherproof Cover

Duplex Opening

### Online Resources

Customer Sales Drawings  
eCatalog  
Installation Instructions

Dimensions in Inches (mm)

Hubbell Wiring Device-Kellems • Hubbell Incorporated (Delaware) • 40 Waterview Drive • Shelton, CT 06484

Phone (800) 288-6000 • Fax (800) 255-1031 • Specifications subject to change without notice.

