

Ground Fault Products  
 Straight Blade Portable GFCI Plugs  
 15 Ampere, 120 Volts AC, 2 Pole, 3 Wire  
 Grounding

# HUBBELL

### Ordering Information

Description	Rating	UPC	Catalog Number
Circuit Guard® wired on commercial portable GFCI plug automatic set field wireable, black	2 pole, 3 wire grounding, 15A, 125V, NEMA 5-15P	783585690773	GFP515A

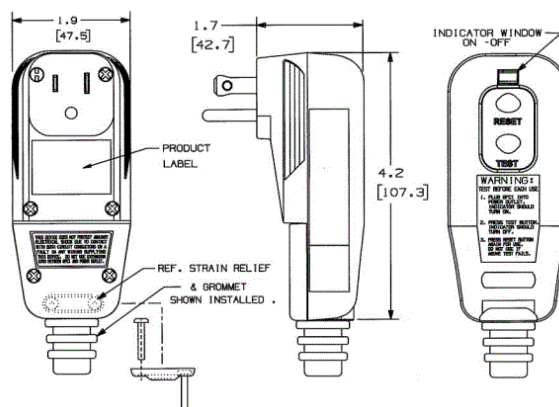


### Listings

UL Listed  
 CSA Certified  
 NEC® and CEC requirements

### Specifications

Body	Polycarbonate
Blades	Brass
Buttons	Polycarbonate
Strain Relief	Elastomer
Cord Grip	Polycarbonate
Screws	Zinc plated steel



### Online Resources

Customer Use Drawing  
 eCatalog  
 Installation Instructions

Dimensions in Inches (mm)

Hubbell Wiring Device-Kellems • Hubbell Incorporated (Delaware) • 40 Waterview Drive • Shelton, CT 06484

Phone (800) 288-6000 • Fax (800) 255-1031 • Specifications subject to change without notice.

