

Twist-Lock® Devices

30A, 4 Pole, 5 Wire Grounding, 240/415 VAC, 3 Phase Y Insulgrip® Plug

HUBBELL

Features

- Ribbed nylon housing provides a secure grip and impact and chemical resistance.
- Superior cord grip design protects terminations from excess strain.
- Clear, funnel shaped wire entry for ease of termination.
- Integral, dust shield protects wiring chamber from dust or contaminants.



Ordering Information

Description	Cord Diameter	UPC Number	Catalog Number
Black and White Nylon	.350"-1.150"	783585580326	HBL2801

Listings

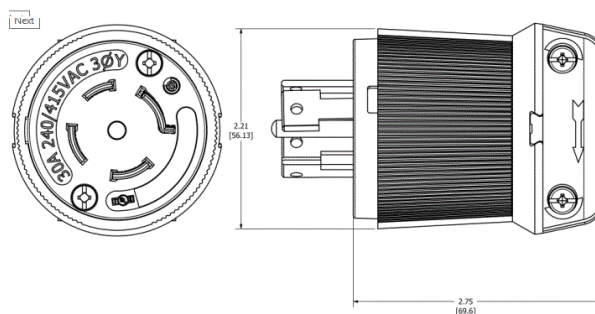
Listed to UL 498
Fed.Spec. W-C-596
Certified to CSA C22.2 No.42

Specifications

Housing/Cord Clamp	Nylon
Terminal Retainer	Clear Polycarbonate
Blades	Brass
Terminal Screws	#10-32 Brass
Assembly Screws	Steel – nickel plated

Performance

Electrical	
Current Interrupting	Certified at full rated current Electrical
Dielectric voltage	2,000V minimum
Mechanical	
Terminal Accommodation	#16 - #8 AWG stranded
Terminal Identification	Terminals identified in accordance with UL498
Environmental	
Flammability	HB or better per UL94/CSA 22.2 No.0.17
Moisture Resistance	IP20 Suitability
Operating Temperatures	Maximum Continuous 75C Minimum -40C (w/o impact)



Complementary Products

Connector	HBL2803
Weatherproof Boot	HBL6035
Receptacle	HBL2800

Online Resources

eCatalog

Dimensions in Inches (mm)

Hubbell Wiring Device-Kellems • Hubbell Incorporated (Delaware) • 40 Waterview Drive • Shelton, CT 06484

Phone (800) 288-6000 • Fax (800) 255-1031 • Specifications subject to change without notice.

