

Twist-Lock® Devices

30A, 4 Pole, 5 Wire Grounding, 240/415 VAC, 3 Phase Y Insulgrip® Inlet

HUBBELL

Features

- Impact resistant thermoplastic construction
- Backwired terminations for ease of installation
- #10-32 Multiple drive terminal screws (Slotted, Phillips, Robertson)
- Mounting screws included



Ordering Information

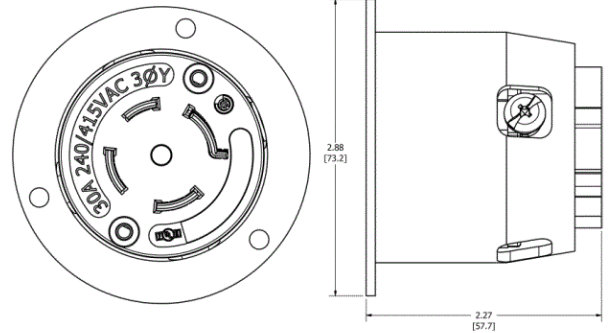
Description	Device Color	UPC Number	Catalog Number
White Nylon	White	783585580340	HBL2805

Listings

Listed to UL 498
Fed. Spec. W-C-596
Certified to CSA C22.2 No.42

Specifications

Housing/Flange	Nylon
Terminal Retainer	Clear Polycarbonate
Blades	Brass
Terminal Screws	#10-32 Brass
Assembly Screws	Steel – nickel plated
Mounting Screw	Nickel plated brass



Performance

Electrical	
Current Interrupting	Certified at full rated current Electrical
Dielectric voltage	2,000V minimum
Mechanical	
Terminal Accommodation	#16 - #8 AWG stranded
Terminal Identification	Terminals identified in accordance with UL498
Environmental	
Flammability	HB or better per UL94/CSA 22.2 No.0.17
Moisture Resistance	IP20 Suitability
Operating Temperatures	Maximum Continuous 75C Minimum -40C (w/o impact)

Complementary Products

Connector	HBL2803
Weatherproof Lift Cover	WP2

Online Resources

eCatalog

Dimensions in Inches (mm)

Hubbell Wiring Device-Kellems • Hubbell Incorporated (Delaware) • 40 Waterview Drive • Shelton, CT 06484

Phone (800) 288-6000 • Fax (800) 255-1031 • Specifications subject to change without notice.

