

## UL 1686 C1 Pin and Sleeve

200A, 600/250V AC/DC, 4 Pole, 5 Wire

# Insulgrip® Pin and Sleeve Corrosion Resistant Connector

### Features

- Watertight neoprene sealing glands for reliable seal
- Pin chamber confines arcing within the interior chamber

### Ordering Information

|  |                            |                                   |
|--|----------------------------|-----------------------------------|
| <b>Description</b><br>Pin and Sleeve, Watertight Insulgrip Connector | <b>UPC</b><br>783585161822 | <b>Catalog Number</b><br>M5200CS1 |
|--|----------------------------|-----------------------------------|

**Device Color**  
Aluminum

### Standards

UL Standard 1682  
CSA Certified to CSA Spec. C22.2 No. 182.1  
UL Listed and CSA Certified Type 4X

### Specifications

|                  |                        |
|------------------|------------------------|
| Housing          | Valox® 357             |
| Connector Shroud | Epoxy Painted Aluminum |
| Cord Clamps      | Rynite® SST35          |
| Clamp Nut        | Nickel Plated Brass    |
| Gland            | Neoprene               |

### Performance

**Electrical**  
Current Interrupting Certified for current interrupting at full rated current

Dielectric Voltage Withstands 3,000V AC  
Max. Working Voltage 600V AC RMS

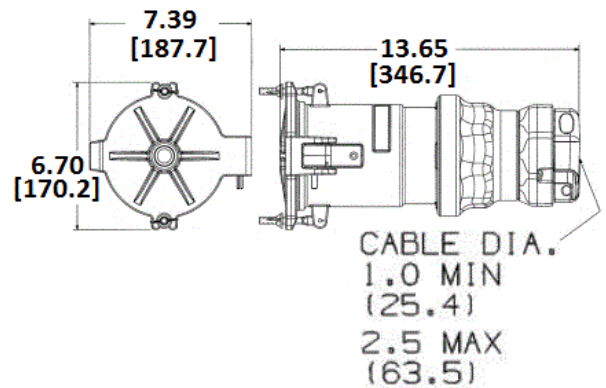
**Mechanical**  
Impact Resistance Per CSA C22.2, No. 182.1, UL 1682  
Product Identification Identification and ratings are permanently fastened to the device housing  
Terminal Identification Terminals identified in accordance with UL 1686(1, 2, 3, Green)

**Environmental**  
Flammability (Enclosure) UL 94V-0 and CSA C22.2 No. 0.17  
Moisture Resistance Type 3, 4, 4X per UL 50E and CSA 22.2, No. 94  
Operating Temperatures Max. Continuous 75°C; Min. -40°C w/o impact -25° with impact

### Online Resources

Customer Use Drawing  
eCatalog  
Installation Instructions

# HUBBELL



Dimensions in Inches (mm)

Hubbell Wiring Device-Kellems • Hubbell Incorporated (Delaware) • 40 Waterview Drive • Shelton, CT 06484

Phone (800) 288-6000 • Fax (800) 255-1031 • Specifications subject to change without notice.

